

POWERPOST® WALL-MOUNTED ELECTRIC VEHICLE CHARGING STATIONS

PowerPost® low current electric vehicle charging solutions are now available as wall-mounted charging units. All PowerPost products are perfect for long dwell parking situations, and with more installation options, it is even easier to enhance your image and support your customers, employees and guests who are leading the charge in sustainability and energy reduction.

At Telefonix, we believe that electric vehicle charging should be simple; there's no need to over think or overspend. Our products are low current charging solutions, which maximize the use of the equipment over the parking duration and avoid spikes in energy demand that can push a facility into higher electric rate brackets. Ideal for facilities where cars are parked for two or more hours, the PowerPost EVSE product line is designed to deliver a unique value proposition to those looking to provide electric vehicle charging.

UNIQUE PATENTED CORD REEL TECHNOLOGY

PowerPost EVSE products directly address the growing concern over tripping hazards in electric vehicle parking areas. The patented retractable, waterproof and spark-proof cord reel is a robust solution that can help facilities meet ADA compliance requirements.

PRODUCT CONSTRUCTION & CUSTOMIZATION

The units are made of powder-coated aluminum and UV-resistant plastics to ensure durability. The exterior can also be customized with high-definition graphic wraps, enabling new branding opportunities for businesses.

INSTALLATION BASICS

Designed for simple installation, the wall-mounted PowerPost EVSE is supplied as a Level 1 (120vac) or a Level 2 (208-240vac) low current unit. Units can be installed individually or in side by side configurations. The charging station utilizes a dedicated 20-amp circuit that is common in all commercial locations. Due to the low current draw, costly upgrades can often be avoided.

LOW COST OF OWNERSHIP

With built-in retractable cord reel technology, cables are kept off of the ground, minimizing wear and tear. Additionally, the simple, non-networked solution eliminates the costly issues that often arise with the integration of payment and tracking technologies.



KEY SPECIFICATIONS

- ⦿ 120vac/16 amps (Level 1) or 208–240vac/14 amps (Level 2)
- ⦿ 20A supply circuit
- ⦿ Waterproof and spark-proof cord reel
- ⦿ 14 feet of retractable EVSE cable
- ⦿ UL 2594 certified for EVSE commercial use



Did you know...

63% of “public access” charging stations are currently free to use.

Facilities are increasingly offering energy recovery charges as a perk.

-plugshare quarterly report

Don't over think or over pay: deliver EV charging for less than \$1 per day.*

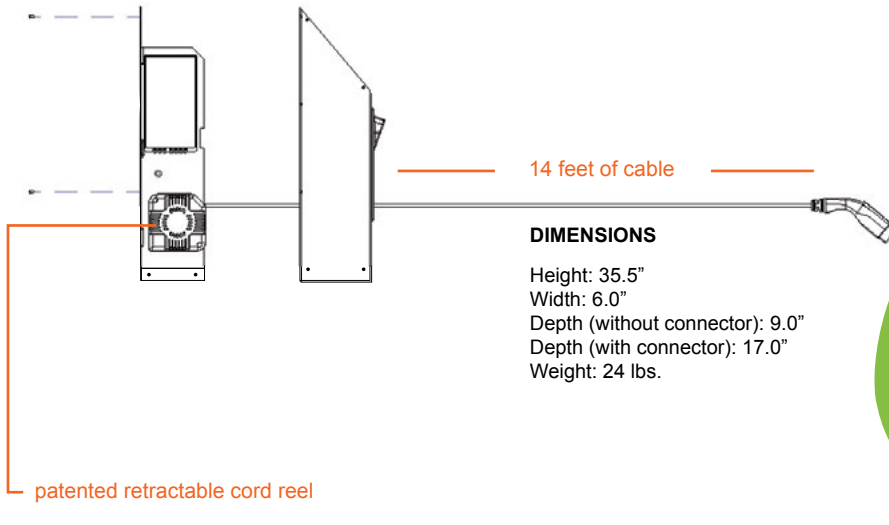
*When charging on a Level 1 EVSE, most plug-in vehicles charge at a rate of 1.44 kW and draw about 12 amps. Based on an electricity rate of \$0.17/kWh, the cost to re-fuel a 20 mile commute is under \$1.

POWER/Post EVSE
technology by
telefonix



PowerPostEVSE.com
847.244.4500

DRAWING



TECHNICAL SPECS

Level 1 PowerPost EVSE

Low Current Level 2 PowerPost EVSE

Unit Details	Level 1 PowerPost EVSE	Low Current Level 2 PowerPost EVSE
Power Rating	110-120VAC/16 Amps	208-240VAC/14 Amps
Supply Circuit	20A	
User Interface	Simple LED Interface	
Charging Connector	SAE J1772 Compliant (accepts Tesla plug adapter)	
Exterior Materials	Powder-Coated Aluminum and UV-Resistant Plastics	
Enclosure Rating	UL 50 and UL 50E Type 3R	
Product Decal/Wrap	Base units come standard with EV charger decals. Custom decal or wrap designs are available at an additional cost.	
Ambient Temperature Rating	-30°C to +50°C	
Retractable Cord Reel Details		
Unit Dimension (Internal to Unit)	7" W x 7" L x 2.63" D	
Retractable Cable	14 FT of specifically designed EVSE cable optimized to meet UL 355 requirements	
Indoor/Outdoor Use	Suitable protection against rain, sleet, and damage from external ice formation. Cord reel is capable of temporary submersion.	
Ambient Temperature Rating	-30°C to +50°C	
Patented Technology	This product contains patented cord reel technology: US 8,387,763 B2 as well as additional patents pending.	
Retractable Cord Reel Details		
Safety Standards Tested	UL 2594 Electric Vehicle Supply Equipment CSA C22.2 No. 280-13 Electric Vehicle Supply Equipment	
Cord Reel Standards Testing	UL 355 Cord Reels UL 50 Enclosures for Electrical Equipment, Non-Environmental Considerations UL 50E Enclosures for Electrical Equipment, Environmental Considerations UL 746C Polymeric Materials - Use in Electrical Equipment Evaluations CSA C22.2 No. 21-95 Cord Sets and Power Supply Cords	
Standard Charger Warranty	Standard 5 Year Warranty, Excluding Cord Reel Component	
Standard Cord Reel Warranty	Standard 18 Month Warranty	

ABOUT TELEFONIX, THE MINDS BEHIND POWERPOST EVSE

Telefonix, the manufacturer of the PowerPost EVSE product line, is a leader in cord reel technology with over 25 years of industry expertise. With more than 60 patents issued to date and a staff of highly skilled engineers, project managers, manufacturing experts and more, the Telefonix team delivers the quality product you expect and the service you need for